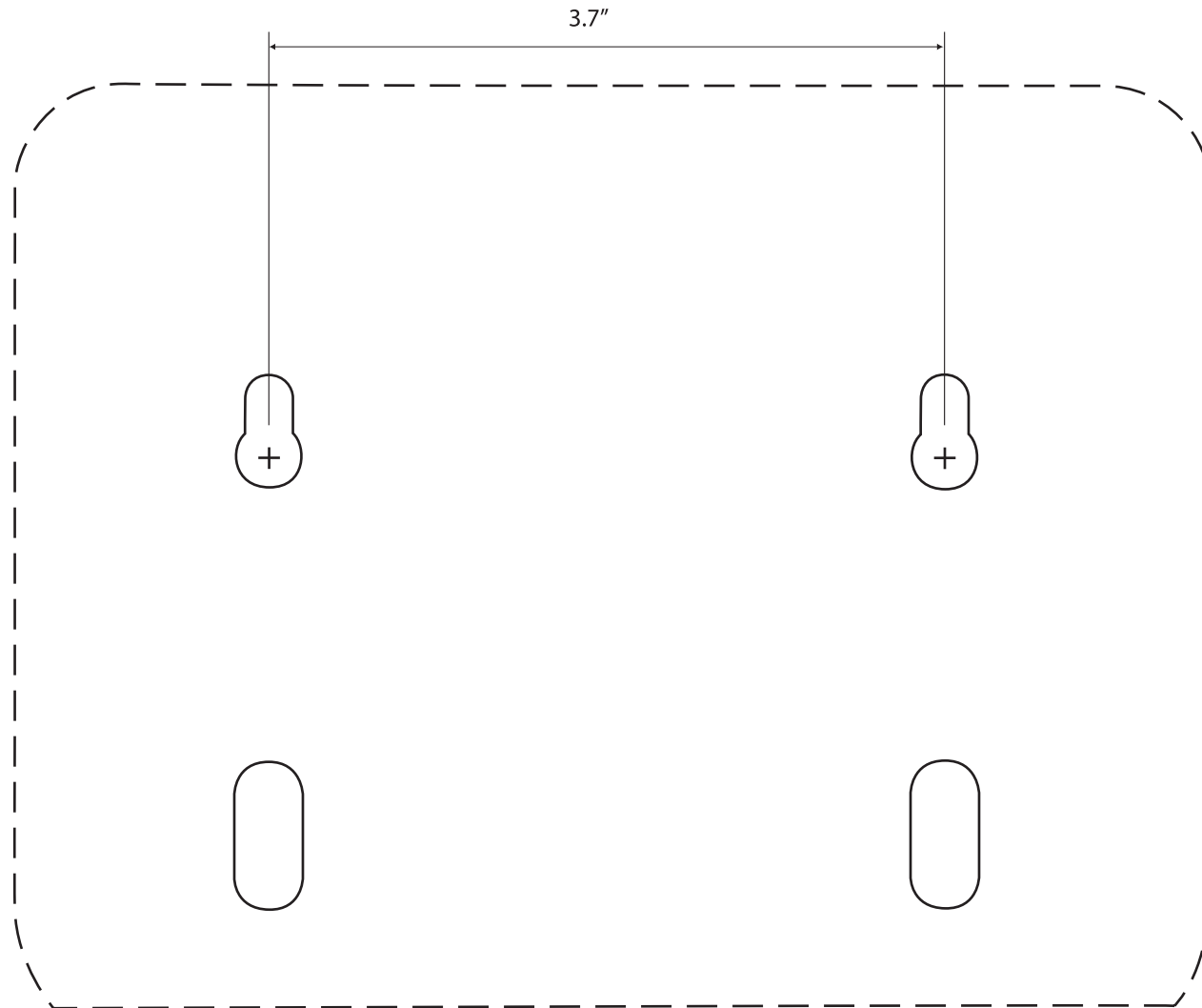


Actiontec ECB3500T Network Adapter Wall Mounting Template

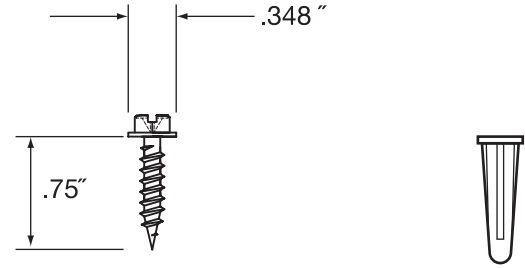
MT1185/0413

Scale: Actual Scale



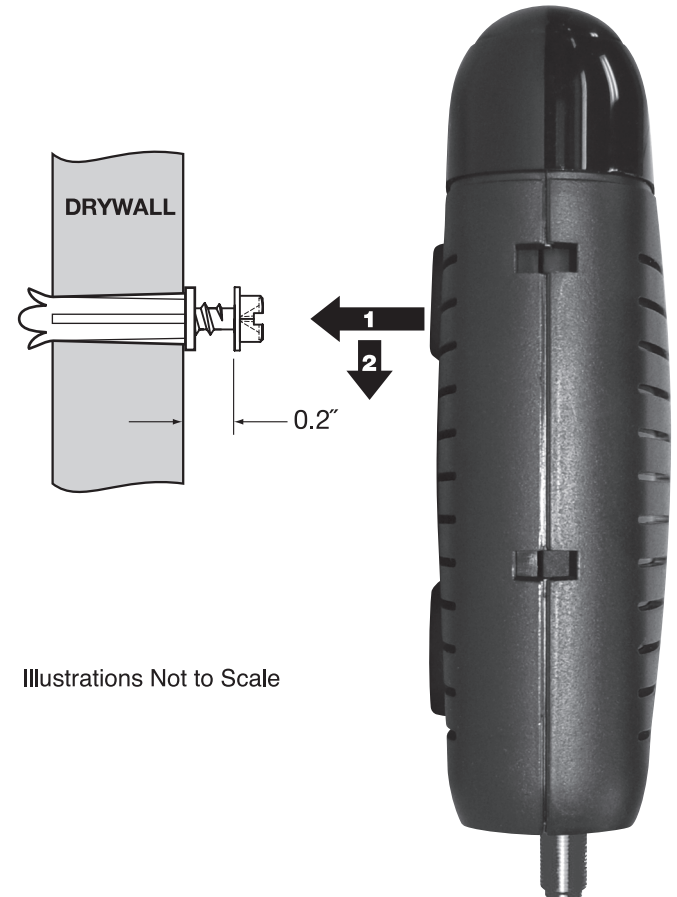
1. Place the template on the wall in the position the Adapter will be mounted. (It is recommended to mount the Adapter with the cable connections on the bottom).
2. Mark the mounting holes. If mounting on wood, drill holes for the screws. If mounting on drywall, drill holes to accept drywall anchors. A 3/16" drill bit is recommended for plastic anchors.
3. Leave screws extended about 0.2 inches from the wall.
4. Remove all 4 rubber feet from the bottom of the Adapter.
5. Locate the Adapter keyhole openings over the screw heads and push down lightly on the Adapter to lock the unit onto the screws.

Fasteners



(2) #8 Slotted/Phillip Hex Washer Screws

(2) Plastic Screw Anchors



Illustrations Not to Scale