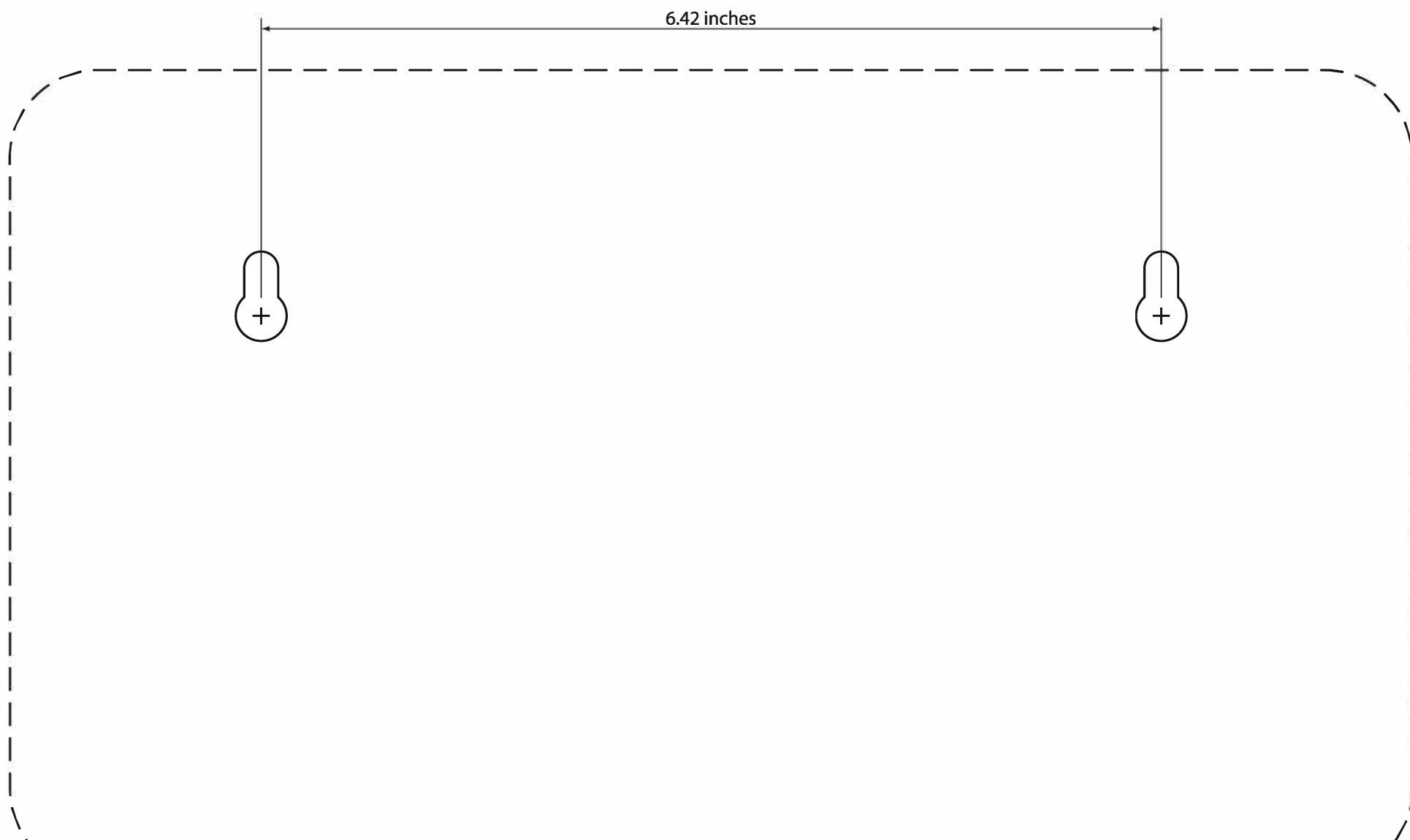


Actiontec MI424WR Rev. I Wall Mounting Template

HT872/0107

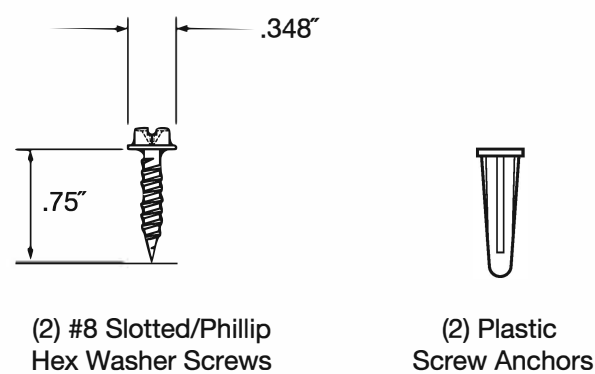
Scale: Actual Size

PN: 0530-0515-006



1. Place this template on the wall in the position the Router will be mounted. (It is recommended to mount the Router with the cable connections on the bottom).
2. Mark the mounting holes. If mounting on wood, drill holes for the screws. If mounting on drywall, drill holes to accept drywall anchors. A 3/16" drill bit is recommended for plastic anchors.
3. Leave screws extended about 0.2 inches from the wall.
4. Remove all 4 rubber feet from the bottom of the Router.
5. Locate the Router keyhole openings over the screw heads and push down lightly on the Router to lock the unit onto the screws.

Recommended Fasteners (not included)



(2) #8 Slotted/Phillip Hex Washer Screws

(2) Plastic Screw Anchors

