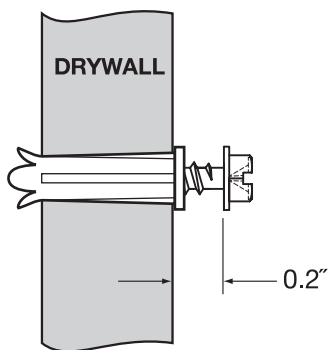
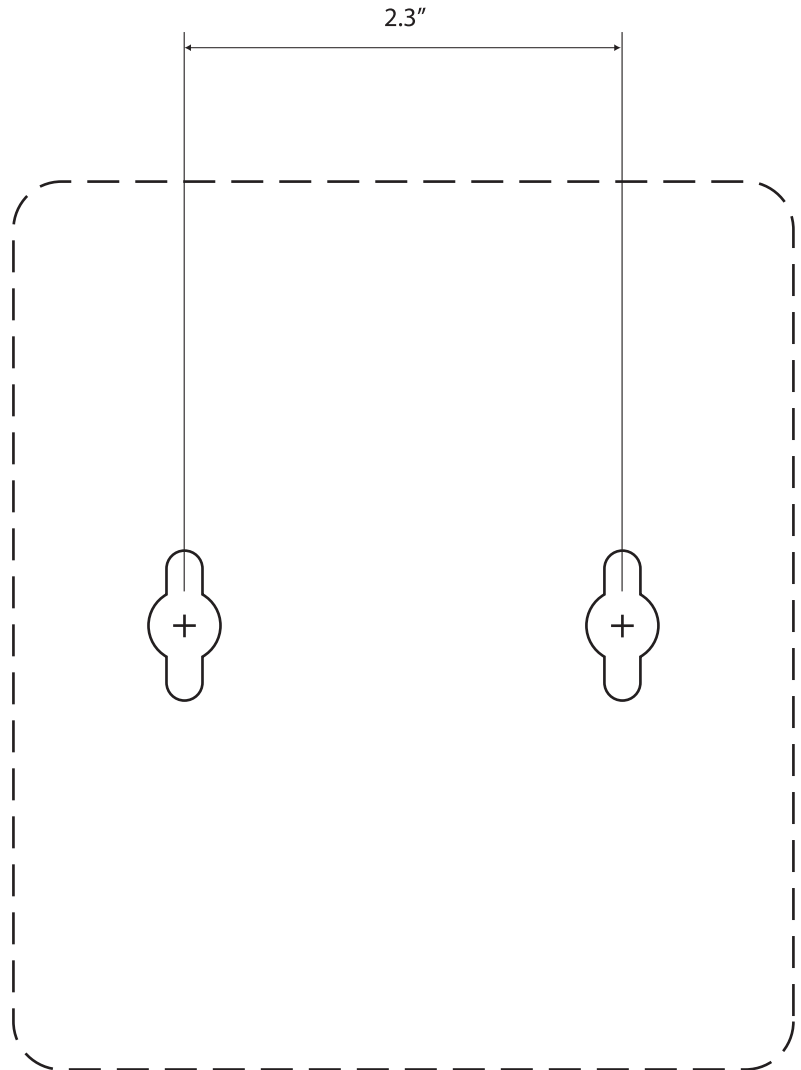


MyWirelessTV Transmitter & Receiver Wall Mounting Template

Scale: Actual Scale

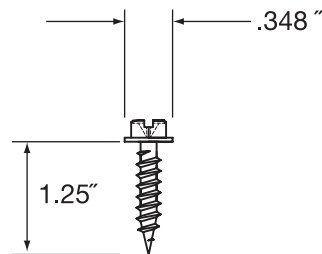
PN: 0530-xxxx-xxx

1. Place this template on the wall in the position the Transmitter or Receiver will be mounted. (It is recommended to mount the Transmitter or Receiver with the cable connections on the bottom).
2. Mark the mounting holes. If mounting on wood, drill holes for the screws. If mounting on drywall, drill holes to accept drywall anchors. A 3/16" drill bit is recommended for plastic anchors.
3. Leave screws extended about 0.2 inches from the wall.
4. Locate the Transmitter or Receiver keyhole openings over the screw heads and push down lightly on the Transmitter or Receiver to lock the unit onto the screws.



Illustrations Not to Scale

Fasteners



(2) #6 Slotted/Phillip
Hex Washer Screws



(2) Plastic
Screw Anchors