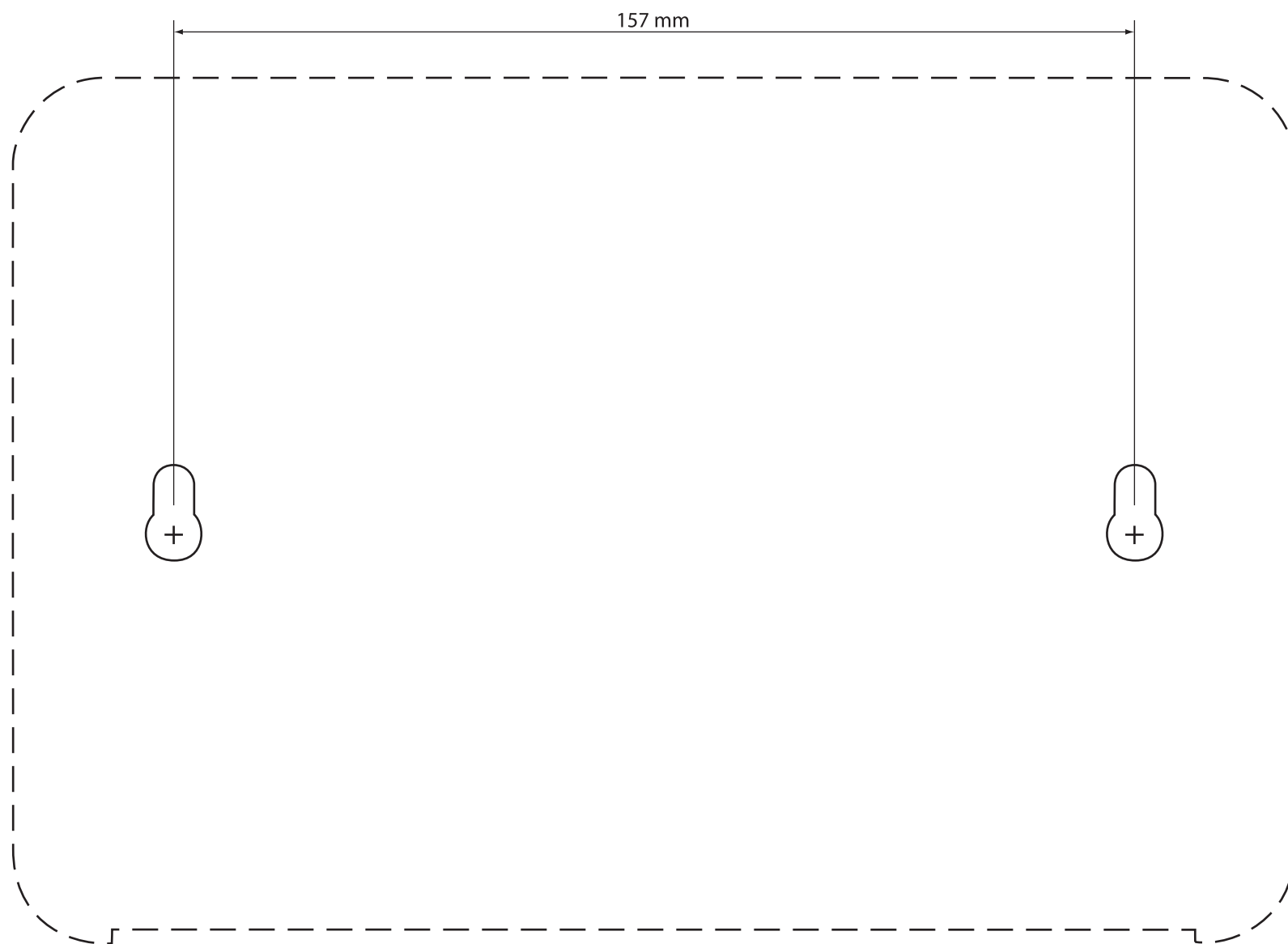


Q1000 Modem Router Wall Mounting Template

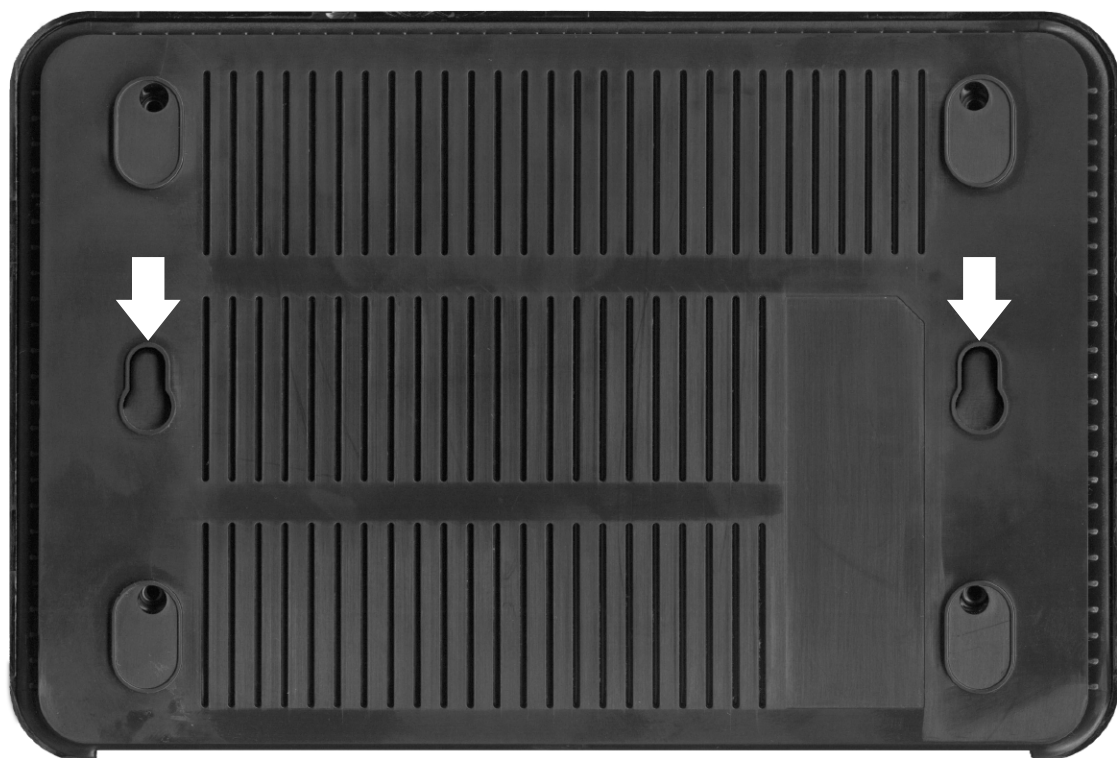
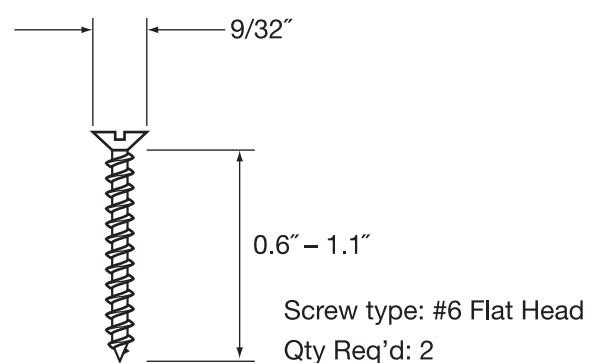
HT1028/0409

Scale: Actual Size

PN: xxx-xxxx-xxx



1. Place this template on the wall in the position the Modem Router will be mounted. (It is recommended to mount the Modem Router with the cable connections on the bottom).
2. Mark the mounting holes and drill holes for the screws.
4. Leave screws extended about 0.15 inches from the wall.
5. Hang the Modem Router on the screws.



Not to Scale

