

ECB6250 KIT

Quick Start Guide

MoCA 2.5 Network Adapters



This Quick Start Guide will walk you through the easy steps to connect your MoCA Network Adapters.

Package Contents:

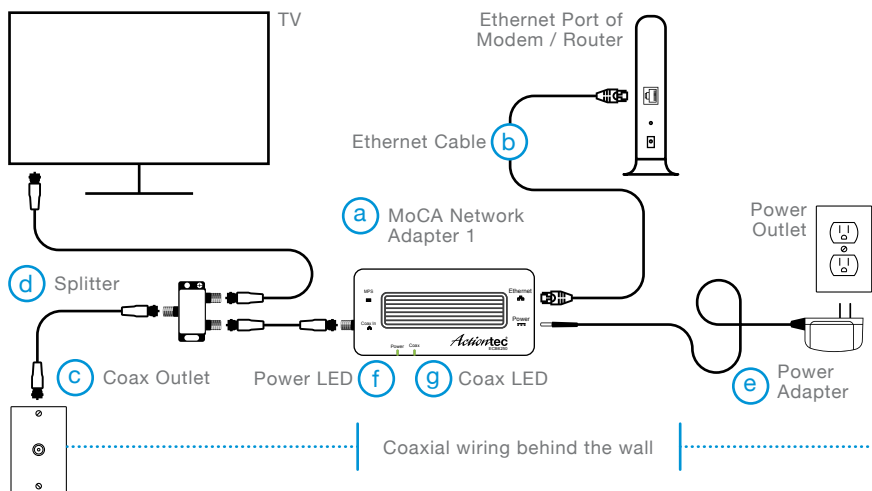
- | | | |
|----------------------------------|-----------------------------------------------------------------------------------|-----------------------------------------------------------|
| (2) MoCA Network Adapters | (2) Power Adapters
(External, 5V DC, 2A made by APD, Model #WB-10E05FU) | (2) Coaxial Cables
(2) Coaxial Splitters |
| (2) Ethernet Cables | | |

Step 1 : Connect to your Modem/Router-

- (a) Get one **MoCA Network Adapter**.
- (b) Connect one **Ethernet Cable** from the **Network Adapter** to the **Modem/Router**.
- (c) Connect one **Splitter** to the **Coax Cable** coming from the **Coax Outlet** on the wall.
- (d) Connect one **Coax Cable** from the **Splitter** to the **Coax In** port on the **Network Adapter**.

Note: If you have a TV or set top box near your modem/router, connect a coax cable from the splitter to the TV or set top box.

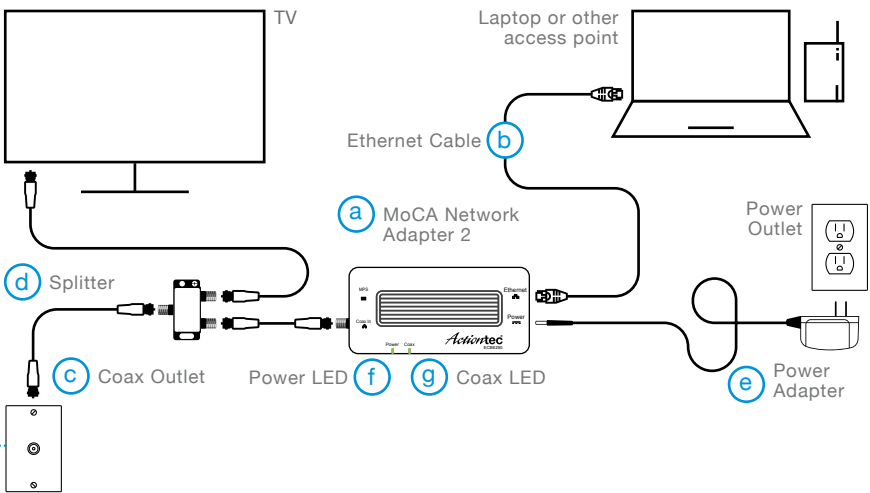
- (e) Connect the second **Power Adapter** to the **Network Adapter** and to a **Power Outlet**.
- (f) Wait until the **Power** light on the front of the adapter is **GREEN**.
- (g) When the **Coax** LED is **GREEN** on both adapters, your adapters are working.



Step 2: Connect to your Device

- a Get one **MoCA Network Adapter**.
- b Locate the device or access point (laptop, etc.) that needs to connect to the Internet. Connect one **Ethernet Cable** from the **Network Adapter** to the **Device**.
- c Connect one **Splitter** to the **Coax Cable** coming from the **Coax Outlet** on the wall.
- d Connect one **Coax Cable** from the **Splitter** to the **Coax In** port on the **Network Adapter**.
- e Connect one **Power Adapter** to the **Network Adapter** and to a **Power Outlet**.
- f Wait until the **Power** light on the front of the adapter is **GREEN**.
- g

IMPORTANT! If the **Coax LED** on the **Network Adapter** is already **GREEN**, you may have MoCA built in to your modem/router. Check the device you just connected. If it is connected to the Internet, you're done*. If the device does not connect to the Internet, continue to Step 2.



©2020 Actiontec Electronics, Inc.

Actiontec, Creative Solutions for the Digital Life, and the Actiontec logo are registered trademarks or trademarks of Actiontec Electronics, Inc., in the U.S. or other countries. All other names are properties of their respective owners. Product photo may differ from actual product. However, functionality remains as stated above. Specifications are subject to change without notice.

Congratulations! You've successfully connected your device to the Internet.

Additional MoCA Network Adapters may be purchased and connected to other devices needing an Ethernet connection and that are near a coaxial port.

Tech Support

For registration or access to user manuals, wall-mount templates, software updates, etc. visit our webpage:

www.actiontecsupport.com/ecb6250